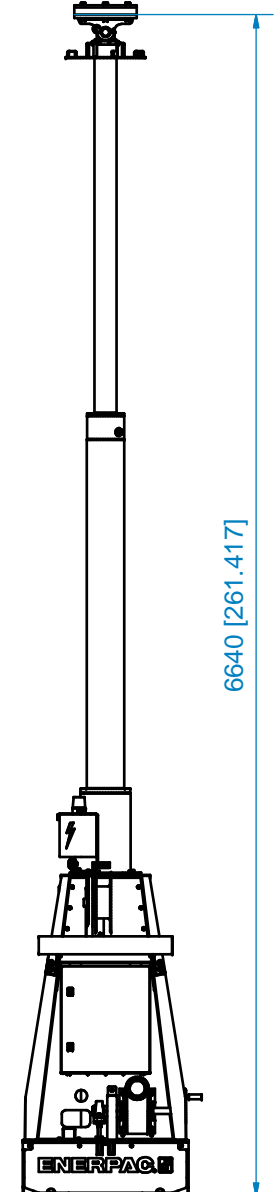
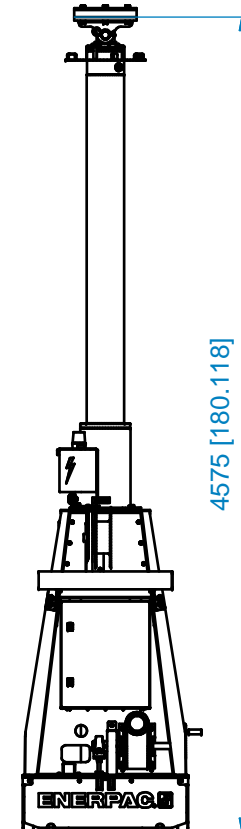
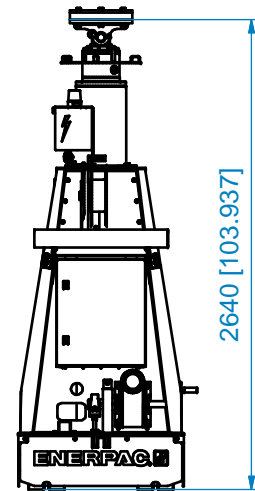
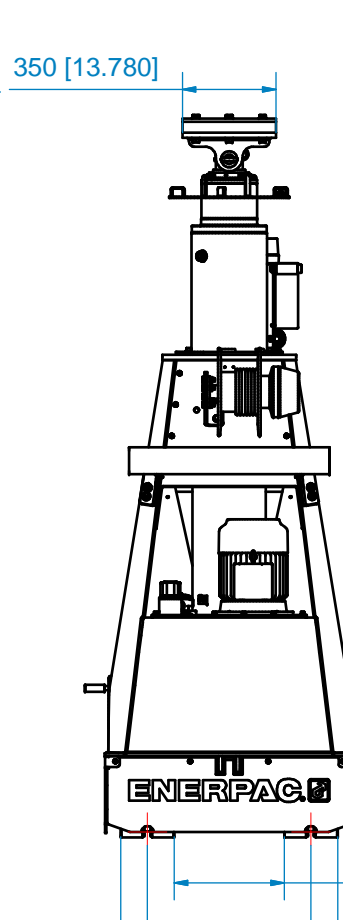
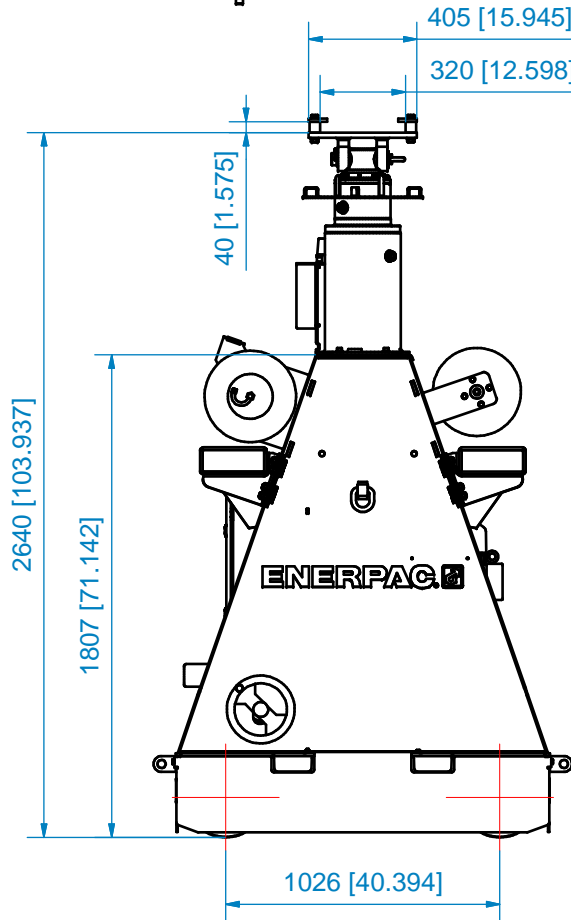
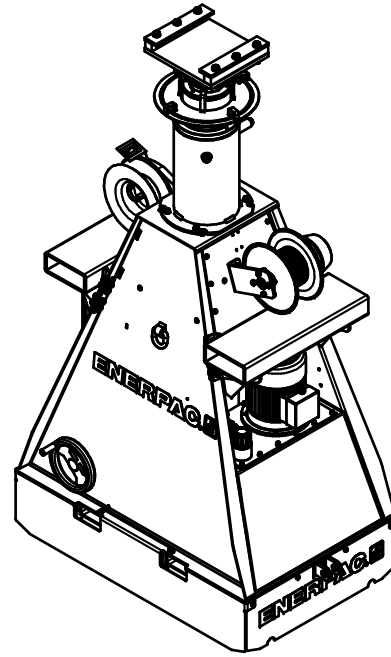
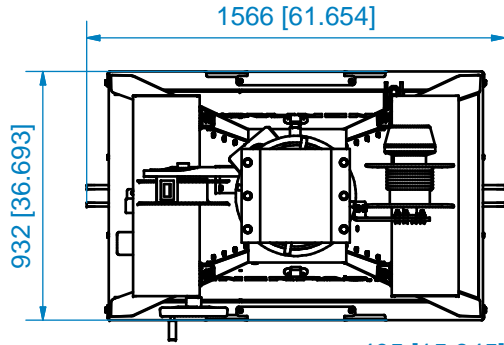


Features

Safe Work Load Stage 1:	312.5 kN	(70 kips)
Safe Work Load Stage 2:	312.5 kN	(70 kips)
Self Weight (incl. oil):	2130 kg	(4696 lbs)



OPAALSTRAAT 44, 7554 TS HENGLO HOLLAND
 PO BOX 421, 7550 AK HENGLO HOLLAND
 TELEPHONE: 074-2422045 FACSIMILE: 074-2430338

ENERPAC
 COPYRIGHTS RESERVED

3rd ANGLE
 PROJECTION

Model Number: **SL125**

Drawing Number: **03625.50.00.00**

Main Assembly Number: **03625.01.00.00**

REV: 0 DATE: 1/20/2017 SCALE: 1 : 20 FORM: **A3**